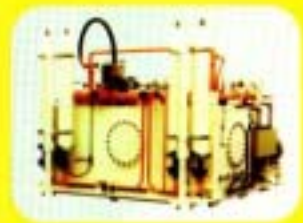
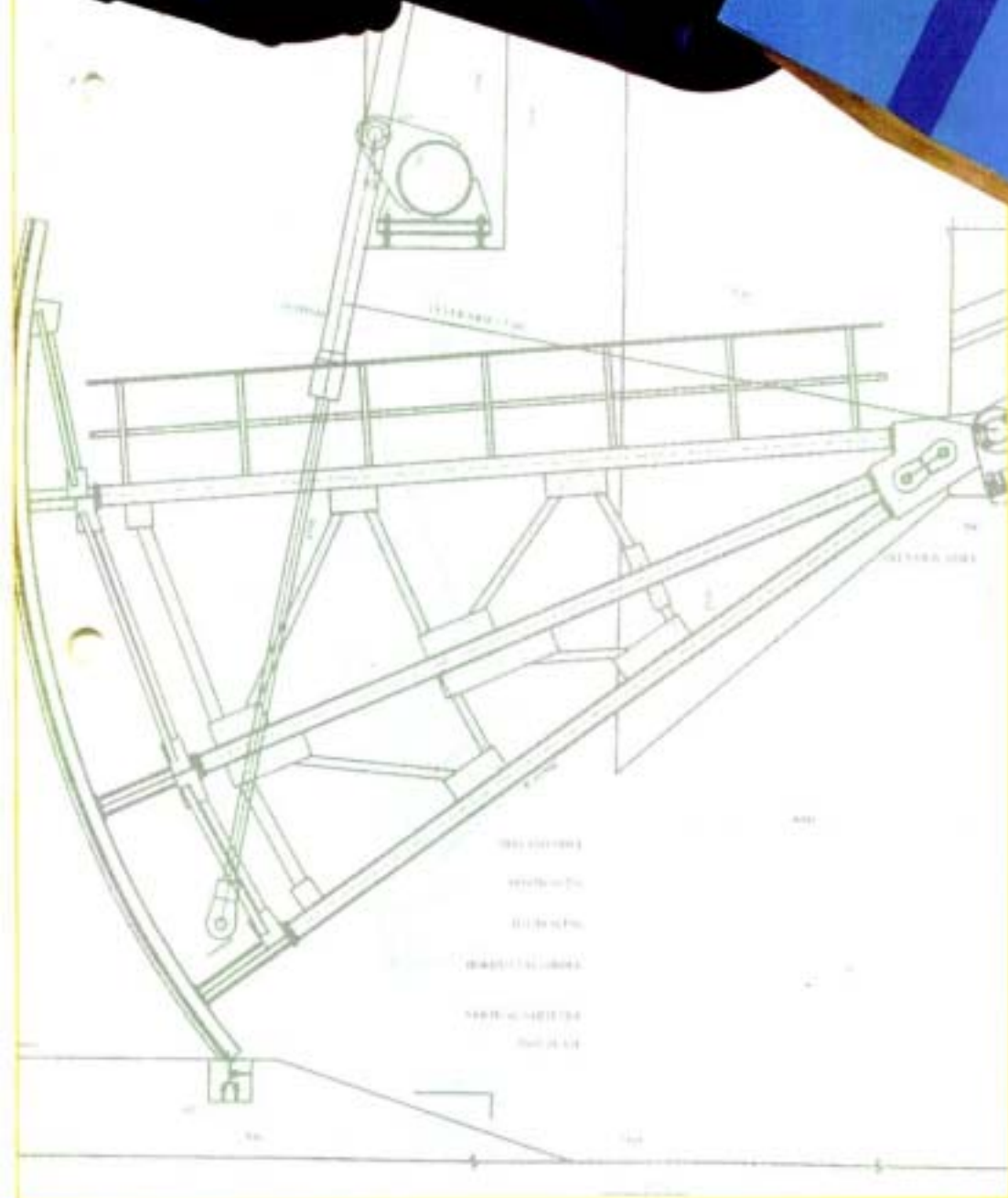
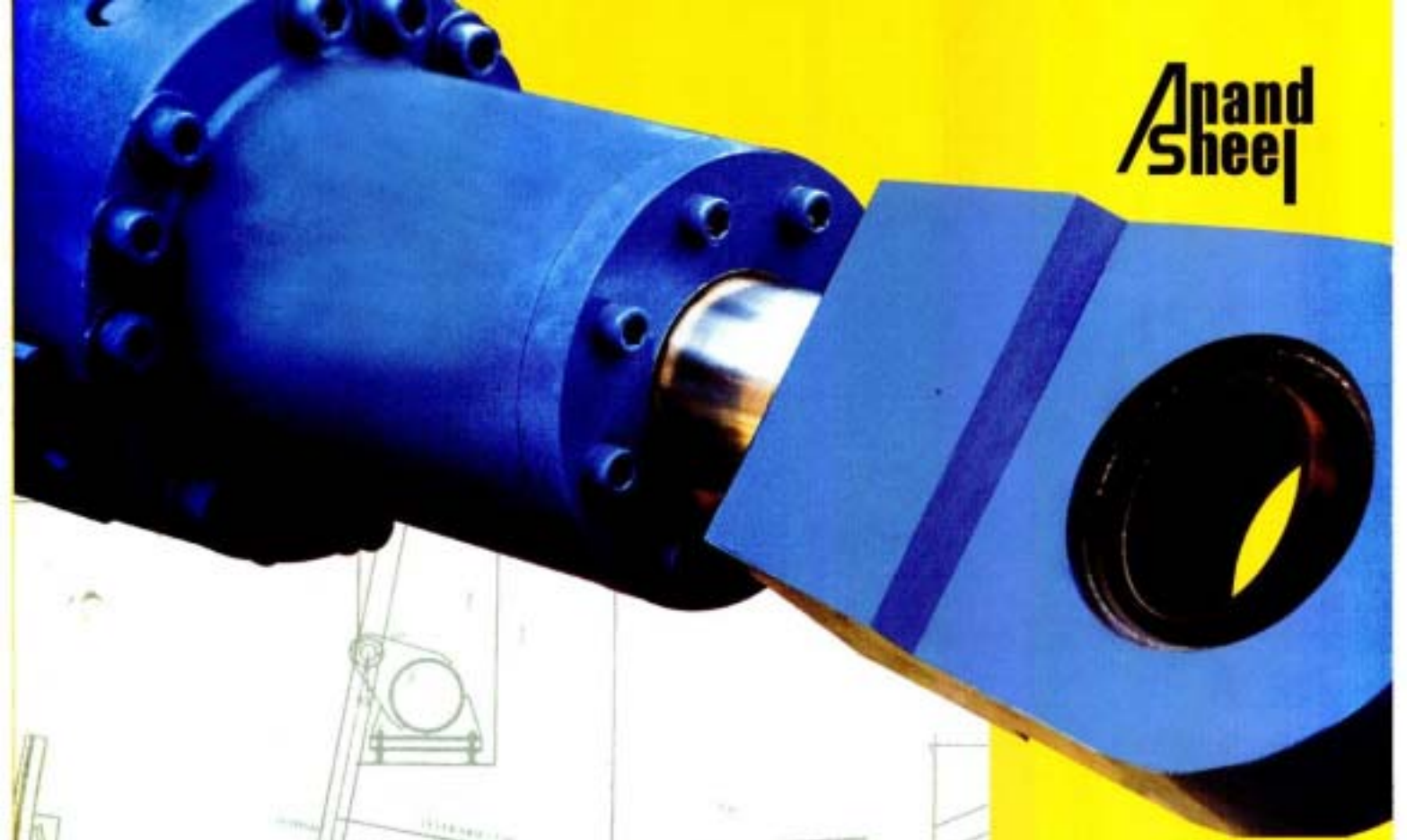


**Anand
Sheel**



Customised Fluid Power Solutions



Anand Sheel

Matchless Performance.

WHO WE ARE

Anandsheel Hydraulics Private Limited is nearly a decade old company specializing in the hydraulics industry. Initially established to be a distributor for Eaton (formerly M/s Vickers Systems International Limited), today the company's service offerings have greatly expanded, and its name has come to represent quality, reliability, and trust. Today, nearing its tenth year of operation, the firm has evolved horizontally and vertically to become both a manufacturer as well as a distributor. Enriched over the years with significant industry experience, Anandsheel offers a diverse array of products and operates from various locations to best suit clients' needs. We are perpetually striving to deliver quality service & never settling for less than the best and are driven by consistent focus on excellence and growth in every dimension. Equipped with a dedicated and talented workforce with valuable expertise in the Hydraulics field, we have been able to meet the demands of the market while maintaining deep and long lasting ties with each one of our customers. At Anandsheel, our solid infrastructure, top-of-the-line workforce, and strictly observed code of ethics combine to form a secure foundation, which can meet and exceed the most stringent quality measures in this industry. Therefore, year after year, Anandsheel continues to make a remarkable impact in the core business sector of hydraulics, and has attained presence as one among the global competitors.

MISSION

To meet the tough challenges of the industry and augment competence through continual improvement and condense cost through excellence in process and infusion of ground breaking technologies.

MANUFACTURING CAPABILITIES

- Cylinder Bore : 50 mm To 800 mm
- Stroke Lengths: Up To 20,000 mm
- Double, Single Acting & Telescopic
- Pressure Rating : Up To 500 Bar
- Customised hydraulic systems & Test Stands.

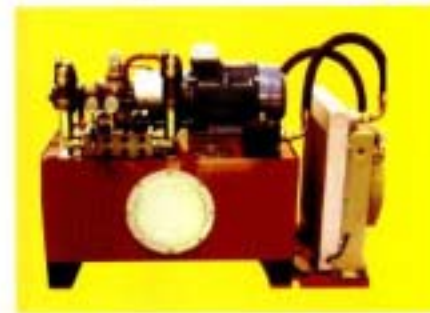




SUPPORT

An indisputable element of the way we do business is our unwavering commitment to high quality standards. We take pride in never overlooking a single detail and ensuring that every vital procedure is strictly and uncompromisingly adhered to. It is no small wonder that new customers enter our clientele on almost a weekly basis. As a result, today we serve a variety of customers who represent a vast spectrum of industries: Steel, Cement, Dredgers, Ships, Defense, Power, Paper, Construction, General Engineering, Mining, etc. Currently, the company manufactures a wide range of products from simple power packs to complex Test Rigs, Presses & Cylinders precisely made to close and stringent tolerances. Cylinders, both single and double action with pressure levels varying from 50 bar to 500 bar and bores from 50 mm to 800 mm are manufactured using high strength St52/ Cold drawn seamless steel tubes. Stainless steel piston rods and hard chrome plated piston rods are used in accordance with the specification. Another important aspect is sealing elements, which are very critical and important items in the performance of cylinders, hence these are

imported from world-renowned sources. The maximum stroke length is 20 meters. The Power packs are made using Eaton/Vickers hydraulic components and standard fittings; the products get corrosion protection like phosphating, enamel painting, powder coating, polyurethane painting etc... in line with the specification to enhance product durability and finish. In fact, we endeavor to minimize manufacturing time and cost through standardized designs, innovative solutions, and effective management techniques and improved manufacturing facilities such as Horizontal Honing machines, which include latest technologies like servo expansion & servo controlled reciprocation that produce excellent surface finish. The company has a well-established design and engineering facility located at our works. The team of qualified, experienced and dedicated engineers and detailers are well equipped with latest hardware & software for analysis, design, and drafting. All drawings right from concept to completion are prepared using latest softwares.



ASHPL emerged as one of the leading manufacturers of Hydraulic Cylinders and Systems for Hydrel, Ferro Alloy and Stone Crushing Plants on turnkey basis.

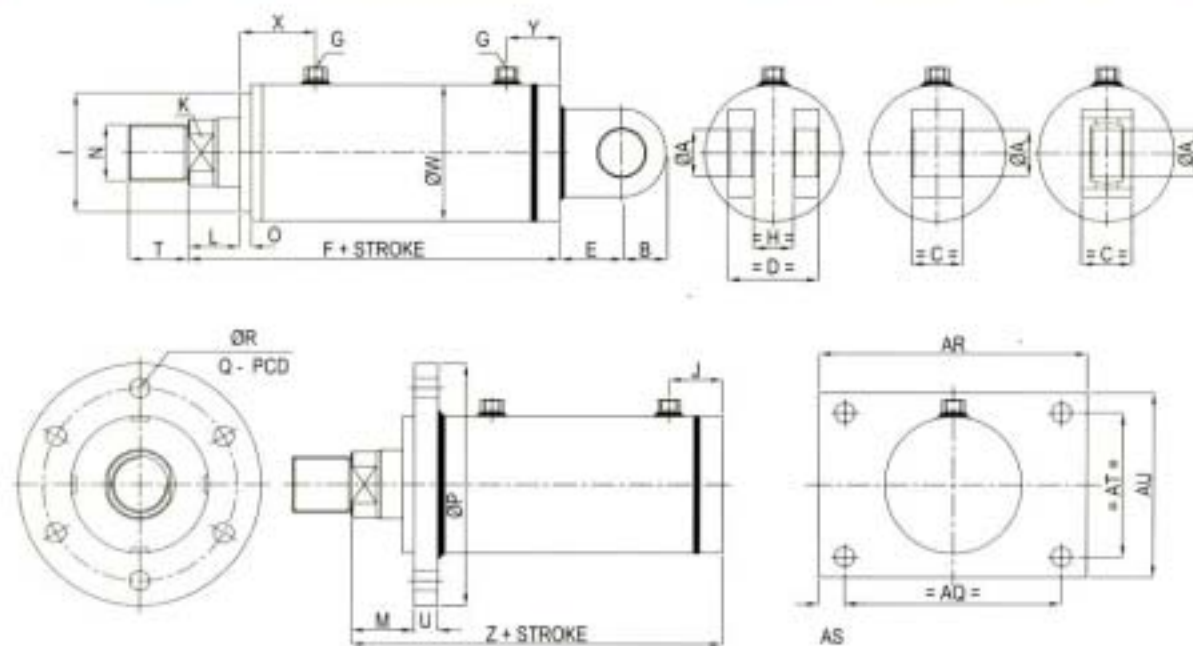


WELDED TYPE CYLINDERS



BORE ϕ	40	50	63	80	100	125	140	150	160	180	200	250	300
ROD ϕ	20 25	25 28	28 36	40 50	50 70	70 90	70 100	80 100	80 100	90 125	100 140	125 140	140 180
A	20	25	30	35	45	50	70	80	80	80	90	120	150
B	27	30	35	42	55	55	80	85	95	105	115	125	175
C	20	25	32	40	45	50	60	70	70	80	100	100	120
D	15	20	25	35	40	45	55	60	70	70	85	90	100
E	34	40	45	55	72	82	95	105	115	125	135	155	195
F	137	150	153	192	213	240	265	289	297	339	364	418	496
G	3/8" BSP	3/8" BSP	3/8" BSP	1/2" BSP	1/2" BSP	3/4" BSP	3/4" BSP	3/4" BSP	3/4" BSP	1" BSP	1" BSP	1 1/4" BSP	1 1/2" BSP
H	35	40	45	65	70	85	105	110	120	130	150	180	220
J	20	22	28	37	44	55	62	60	64	75	82	98	120
K	16	18-24	24-26	33-42	40-56	56-74	58-86	69-86	69-86	78-110	86-125	110-125	125-165
L	20	20	20	20	25	25	30	30	35	35	40	50	50
M	30	34	36	38	43	46	50	52	57	63	72	85	85
N	M16M18 X X 1.5 1.5	M18 M24 X X 1.5 2.0	M24 M24 X X 2.0 2.0	M27 M30 X X 2.0 2.0	M30 M56 X X 2.0 2.0	M56 M64 X X 2.0 2.0	M56 M80 X X 2.0 2.0	M60 M80 X X 2.0 2.0	M64 M80 X X 2.0 2.0	M70 M110 X X 2.0 2.0	M80 M115 X X 2.0 2.0	M110 M115 X X 2.0 2.0	M120 M138 X X 2.0 2.0
P	110	130	145	170	195	250	280	320	340	350	380	470	520
Q	90	100	115	140	160	210	220	260	265	290	320	400	450
R	11	13	13	15	17	21	25	32	32	32	32	38	38
T	18	18-23	23	30	30-56	56-64	55-80	60-80	60-80	70-120	80-115	130-160	150-180
U	12	15	16	20	25	28	35	35	35	35	40	55	65
W	50	60	73	95	115	145	160	170	185	205	230	260	355
X	47	54	57	73	86	89	98	112	117	122	135	158	176
Y	20	22	22	31	32	43	48	60	58	75	82	98	120
Z	137	150	159	198	225	252	279	289	303	339	364	418	496

All Dimensions are in mm



Certificate of Appointment

to
Anandsheel Hydraulics, Secunderabad
as an authorised Distributor

EATON

Authorised Distributors for

EATON | Vickers



**Anand
Sheel**

ANANDSHEEL HYDRAULICS PVT. LTD.

Head Office :

213, Kamakshi Complex,
S.D. Road, Secunderabad - 03
Andhra Pradesh, India.
P : 00 91 40 66314740
00 91 40 66318582
F : 00 91 40 27890897

Regional Office :

55 - 1 - 25/1,
Plot No.24
Jagannadha Raju Nagar,
New Venkojipalem,
Visakhapatnam - 22
Telefax : 0891 - 2793721

Factory :

5 - 9 - 287/3,
Rajeev Gandhi Nagar,
Prashanth Nagar Industrial Estate,
Kukatpally,
Hyderabad - 72
P : 00 91 40 65914740

e - mail : marketing@anandsheelhydraulics.com, bestlube@netlinx.com

www.anandsheelhydraulics.com

www.anandsheelhydraulics.com